

EDGE OF DOCK MECHANICAL LEVELER

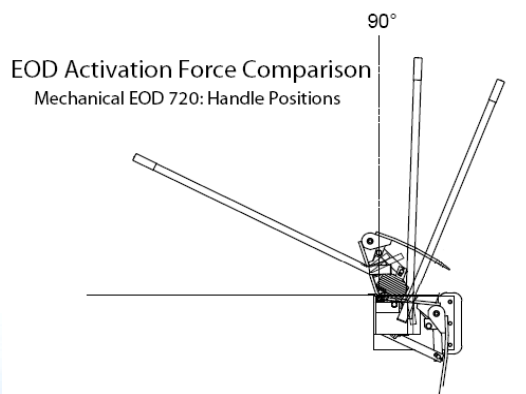
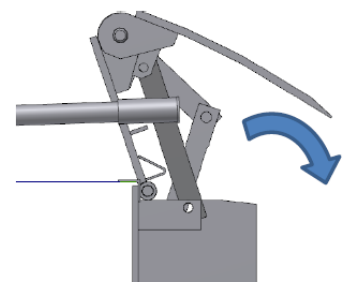
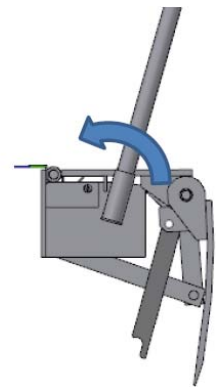
EOD Edge Of Dock leveler is simple in structure without pit position. While is adjusting is narrow. It use in uniform Vehicles approaching height of the deck.

EOD Edge Of Dock leveler is simple in structure without pit position. While is adjusting is narrow. It use in uniform Vehicles approaching height of the deck.

Feature

- High strength steel tread Plate (Ramp & Lip).
- Reliable Extension spring lifting mechanism.
- Easy operation. That requires less lifting force
- Heavy duty steel lifting handle.
- Working range 5" above to 5" below deck.
- 15" Lip standard.
- Laminate bumper mounted to steel bumper block (16" projection)
- Durable construction.
- Easy and Fast installation.
- Limited warranty : One year warranty materials.

MODEL	WIDTH	LENGTH	CAPACITY
EOD620	6 ft.(1800)	27" (685)	20,000 lbs.
EOD720	7 ft.(2100)	27" (685)	20,000 lbs.



THAI MIYAMOTO CO., LTD.

105/414 Moo 4 , Ratchapruek Rd., Bangrang,Maueng, Nonthaburi 11000

Tel (66)2-444-9934, Fax (66)2-4444-9935

www.th-miyamoto.com

